

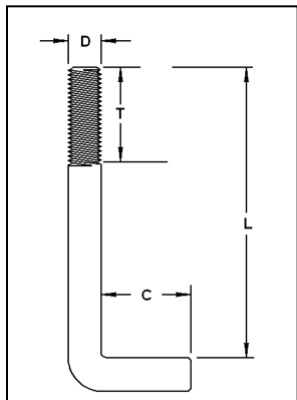
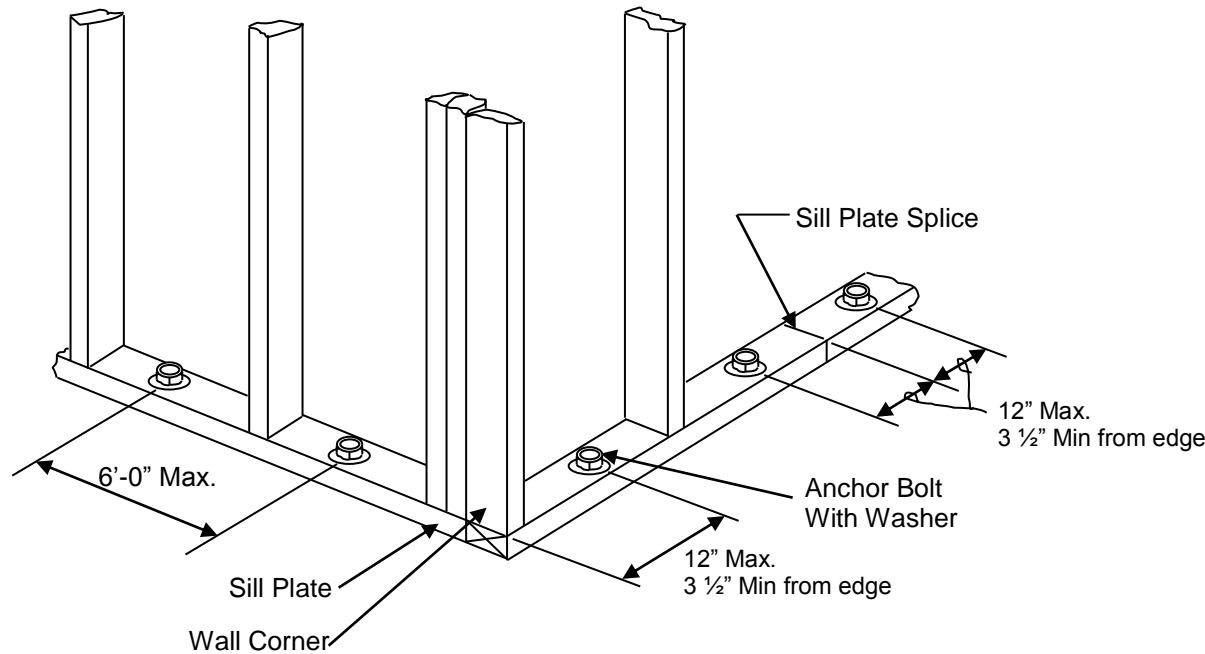


REV. 022019

Section R403.1.6, 2018 IRC:
 1/2" (or larger) diameter anchor bolts embedded 7" minimum into concrete or grouted cells of concrete masonry units and spaced 6 feet on center maximum or approved anchors or anchor straps are required.

NOTES:

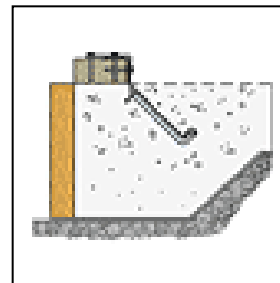
1. Anchor bolts must be placed within 12" of each wall corner and all sill plate splices at a minimum 3 1/2" from the edge.
2. Maximum spacing of bolts is 6'-0".
3. Bolts must be 1/2" diameter minimum size with washers.
4. Right angle bend anchor bolts must have 7" embedment.
5. Alternate anchor bolts and anchor straps may be used and must be installed per manufacturer's instructions and may require engineer's approval.



Right Angle Bend Anchor Bolt
(Per Code)



Alternate Engineered Anchor Bolts
(Engineering Required)



Alternate engineered anchor strap
(Code Approved)